

ISO COMPOSE

Fixed Price Electronic Catalogs at the Click of a Button

For more than 14 years, ITEDO Software has led the Technical Illustration market with products such as IsoDraw, CADprocess and IsoView. Our experience and ideas from our customers have once again led to the development of a new product, which is meanwhile available in the second generation: IsoCompose.

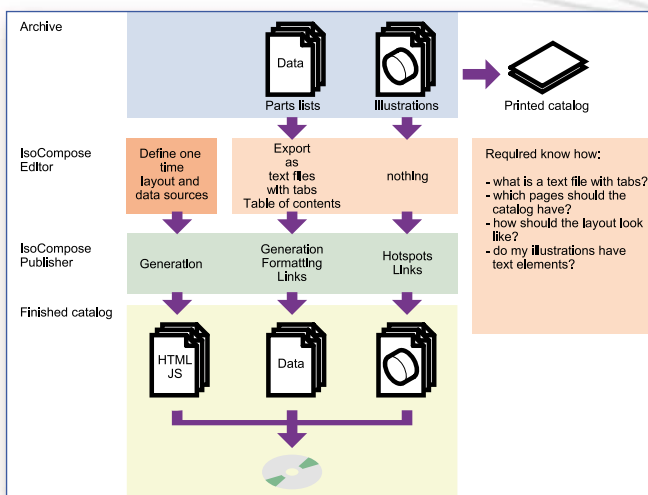
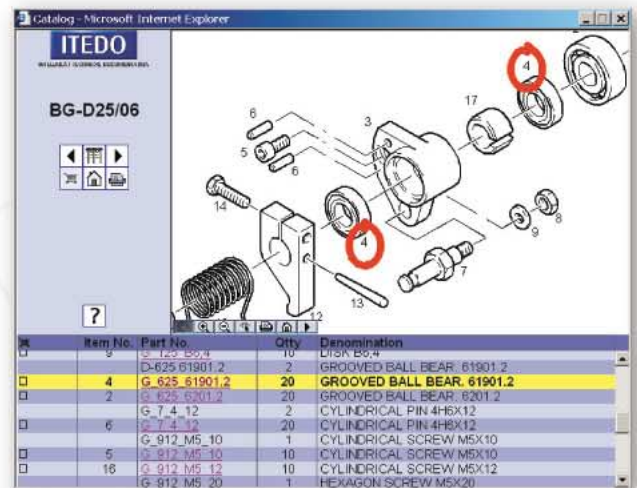
With IsoCompose, the documentation professional has a tool that will assist in every phase of catalog production, from design to distribution – even subsequent revisions. At the same time, the special attraction of IsoCompose is that anyone, even those with no programming experience, can create a finished and reliable catalog from his data – and for an unrivalled price.

All the major customer requirements in one self-contained product

- Fixed product price as decision basis for the customer
- No further adaptation needed
- Can be used for CD and Internet
- No additional distribution costs

High Quality

- Vector graphics
- Standards-based
- Navigation with Objects and hotspots



Simple Operation

- Product can be used by illustrators/editors with no special catalog expertise
- Simple interfaces
- No dependence on programmers

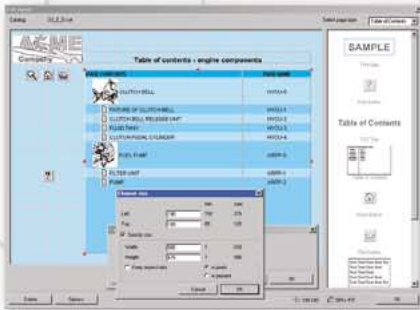
Creation of an electronic spare parts catalog with IsoCompose



ISOCOMPOSE



Freely Configurable



With the layout editor, the user can configure the interface of the entire catalog himself with no programming.

ISOCOMPOSE – TECHNICAL DATA

IsoCompose Interfaces

Table of Contents

- Tab-delimited text file, also multilanguage
- List of images and illustrations
- Hierarchical view of groups and subgroups in table of contents (treeview)

Parts lists

- One tab-delimited text file per image, also multilanguage

Illustrations

- IsoDraw files or CGM
- Vector text elements for item numbers

Graphics

- Logos, Buttons etc in JPEG or PNG-format, Display of graphics with IsoView

Functionality of the Catalog

- Homepage
- Table of Contents
- Catalog pages
- Shopping basket
- Print functions
- Search capabilities throughout the entire catalog
- Help pages
- Multilanguage capability, including east Asian languages using Unicode

ISOCOMPOSE – THE PRODUCT FAMILY

IsoCompose Editor

- Layout editor
- Data sources
- Consistency check of the catalog
- Generation/Synchronization of data
- IsoView Catalog Evaluation License (no distribution)
- inc. maintenance for one year

Use:

- Development of catalogs without distribution
- e.g. service providers

IsoCompose Publisher

- Synchronization of data
- Generation
- IsoView Catalog Distribution License
- inc. maintenance for one year

Use:

- Generation of catalogs without layout work, revisions
- e.g. customers of service providers, multiple company areas, etc.

IsoCompose

- Combination Editor and Publisher
- inc. maintenance for one year

Use:

- full-range catalog design and distribution
- e.g. in-house Technical Documentation department